

MANUAL SWITCHER

CC-3011B CC-3021B

Thank you for purchasing TOA's Manual Switcher.

Please carefully follow the instructions in this manual in order to ensure long, trouble-free use of your equipment.

■ SAFETY PRECAUTIONS

- Before installation or use, be sure to carefully read all the instructions in this section in order to ensure long, trouble-free operation.
- Be sure to follow all the precautionary instructions in this section, which contain important warnings regarding safety.
- After reading, keep this manual handy for future reference.

Safety Symbol and Message Conventions

Safety symbols and messages described below are used in this manual to prevent bodily injury and property damage which could result from mishandling. Before operating your product, read this manual first so you are thoroughly aware of the potential safety hazards as well as understand the safety symbols and messages.



WARNING

Indicates a potentially hazardous situation which could result in death or serious personal injury if ignored or mishandled.

- Avoid installing or mounting the unit in unstable locations, such as on a rickety table or a slanted surface. Doing so may result in the unit falling down and causing personal injury and/or property damage.



CAUTION

Indicates a potentially hazardous situation which could result in moderate or minor personal injury, and/or property damage if ignored or mishandled.

- Do not place heavy objects on the unit as this may cause it to fall or break which may result in personal injury and/or property damage. In addition, the object itself may fall off and cause injury and/or damage.

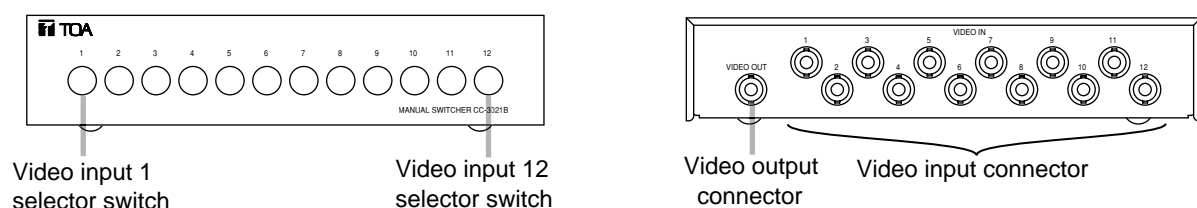
■ GENERAL DESCRIPTION

The CC-3011B and CC-3021B are switchers that select and output one (1) camera video signal out of 6 (CC-3011B) or 12 (CC-3021B) inputs.

■ HANDLING PRECAUTIONS

- When the case or panel is dirty, wipe with a soft cloth dampened slightly in a neutral cleanser. Never use such volatile liquids as thinner and benzene because they damage the unit's finish.
- Use the unit in locations where ambient temperature is between -10 to 50°C and moisture below 90%. Do not install the unit in locations where dust accumulates or unit may be splashed by water.

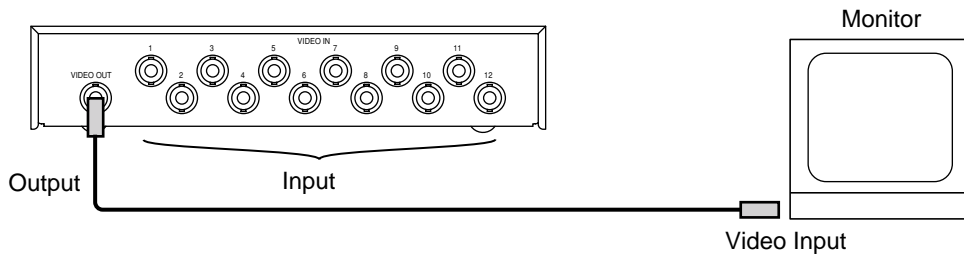
■ NOMENCLATURE



Pressing a video input selector switch outputs the camera signal connected to that switch.

CONNECTION

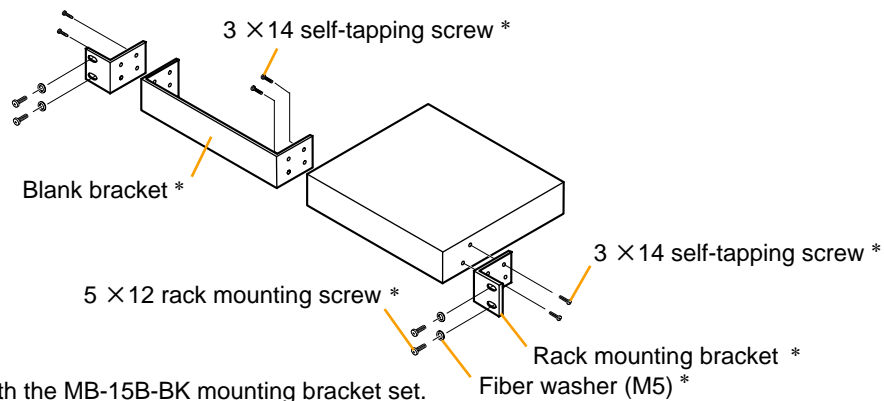
Connect a camera to the input connector (1–12), and a monitor to the output connector.



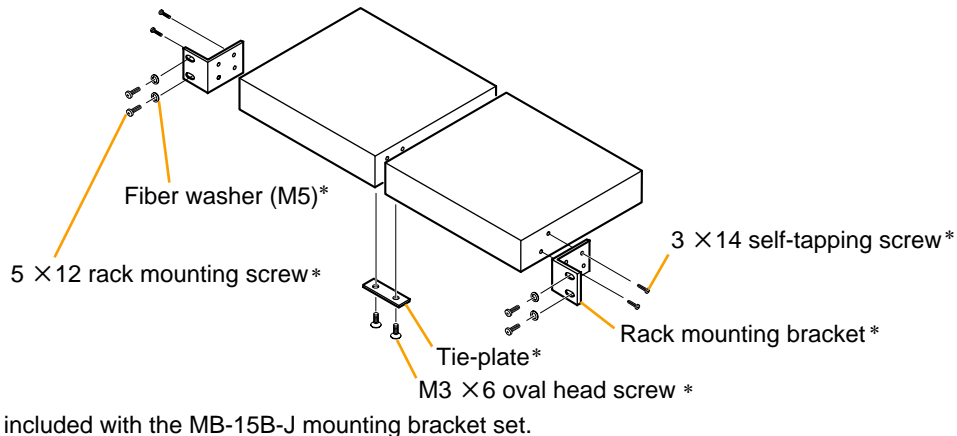
RACK MOUNTING

When mounting the unit in an equipment rack, use the optional mounting bracket set and remove the rubber feet installed on the underside of the unit.

• Rack-mounting a single unit (using the optional MB-15B-BK mounting bracket set)



• Rack-mounting two units (using the optional MB-15B-J mounting bracket set)



SPECIFICATIONS

Video Input	CC-3011B : VBS 1.0 V(p-p), 75 Ω, BNC, 6 channels CC-3021B : VBS 1.0 V(p-p), 75 Ω, BNC, 12 channels
Video Output	VBS 1.0 V(p-p), 75 Ω, BNC, 1 channel
Switch	Lock switch
Operating Temperature Range	-10 to 50 °C
Finish	Panel : Aliminum extrusion, black (Munsel N1.0), 30% gloss Cover : Pre-coated steel plate, black (Munsel N1.0), 30% gloss
Dimensions	CC-3011B : 210 (W) × 47 (H) × 246 (D) mm CC-3021B : 210 (W) × 47 (H) × 248 (D) mm
Weight	1.4 kg

※ Product specifications and external design are subject to change without notice.