

# FLUSH CEILING MOUNTING BRACKET

## C-BC850U

Thank you for purchasing TOA's Flush Ceiling Mounting Bracket. Please carefully follow the instructions in this manual to ensure long, trouble-free use of your equipment.

### 1. SAFETY PRECAUTIONS

- Before installation or use, be sure to carefully read all the instructions in this section for correct and safe operation
- Make sure to observe the instructions in this manual as the conventions of safety symbols and messages regarded as very important precautions are included.
- We also recommend you keep this instruction manual handy for future reference.



#### **WARNING**

Indicates a potentially hazardous situation which, if mishandled, could result in death or serious personal injury.

#### **When Installing the Unit**

- Install the unit only in a location that can structurally support the weight of the unit and the mounting bracket. Doing otherwise may result in the unit falling down and causing personal injury and/or property damage.
- Avoid installing or mounting the unit in unstable locations, such as on a rickety table or a slanted surface. Doing so may result in the unit falling down and causing personal injury and/or property damage.
- Ensure that all screws and fixing mechanism are securely tightened. If they are not tightened or firmly secured after installation, the unit could fall down, possibly resulting in personal injury.
- Do not use other methods than specified to mount the bracket. Extreme force is applied to the unit and the unit could fall off, possibly resulting in personal injuries.
- Tighten each nut and bolt securely. Ensure that the bracket has no loose joints after installation to prevent accidents that could result in personal injury.
- Avoid installing the unit in locations exposed to sea breeze or corrosive gas. The unit or its mounts may be subject to corrosion, that might cause it to fall or result in other accidents.
- Do not mount the unit in locations exposed to constant vibration. The mounting screws and/or bolts may be loosened by excessive vibration, potentially causing the unit to fall, which could result in personal injury.



## **CAUTION**

Indicates a potentially hazardous situation which, if mishandled, could result in moderate or minor personal injury, and/or property damage.

### **When Installing the Unit**

- Leave the installation of the unit to your TOA dealer because the installation requires expert experience and skills. The unit may fall off if incorrectly installed, resulting in possible personal injury.
- To avoid electric shock, be sure to switch off the power before power supply wiring work.
- Avoid touching the unit's sharp metal edge to prevent injury.

### **When the Unit is in Use**

- Do not stand or sit on, nor hang down from the unit as this may cause it to fall down or drop, resulting in personal injury and/or property damage.
- Have the unit checked periodically by the shop from where it was purchased. Failure to do so may result in corrosion or damage to the unit or its mounting bracket that could cause the unit to fall, possibly causing personal injury.

## **2. GENERAL DESCRIPTION**

The C-BC850U Flush Ceiling Mounting Bracket is designed to mount the C-CV854D-3 Vandal Resistant Day/Night Camera (option) in a ceiling, with only the camera's dome cover exposed. It permits the installation of camera to a double-layer ceiling with gypsum board that is not tough enough for mounting screws to be securely inserted in.

## **3. HANDLING PRECAUTIONS**

- Avoid mounting the unit in locations exposed to constant vibration, and in vehicles or ships as well.
- Do not give the unit a great shock or vibration, as this will cause damage to the unit or the unit to fall.
- Avoid installing the unit on the sea or shore, in locations exposed to corrosive gas or chemicals, or in combustible atmospheres or such extraordinary conditions.

## 4. INSTALLATION

### Notes

- A safety wire for the mounting bracket is not supplied with the unit. Prepare the safety wire separately as needed, and connect it to the safety wire fixing hole and its other end to a heavy-duty place.
- Wrap self-adhesive insulation tape around coaxial cable joints and power cable joints.

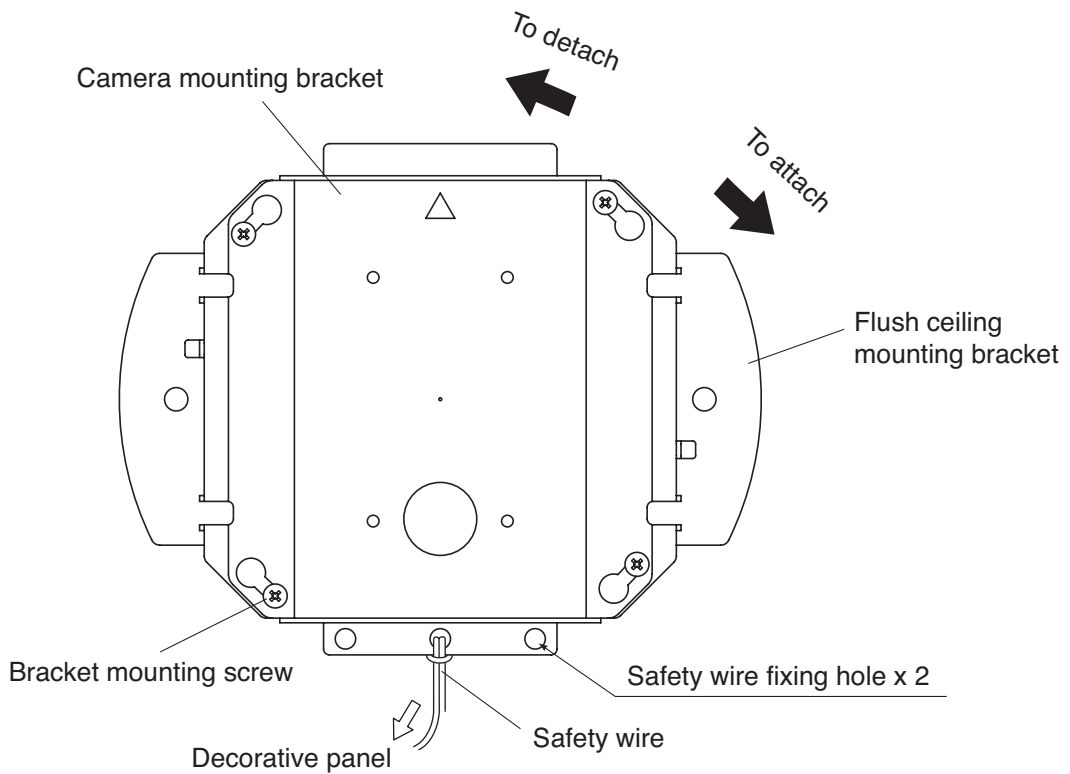
### 4.1. Installation

1. Make a 200 mm diameter hole in the ceiling panel, then route the coaxial cable through it.

#### Note

Before starting this work, check to be sure that the ceiling thickness is 25 mm or less, and that a space of at least 250 mm in diameter and at least 100 mm high is allowed behind the ceiling.

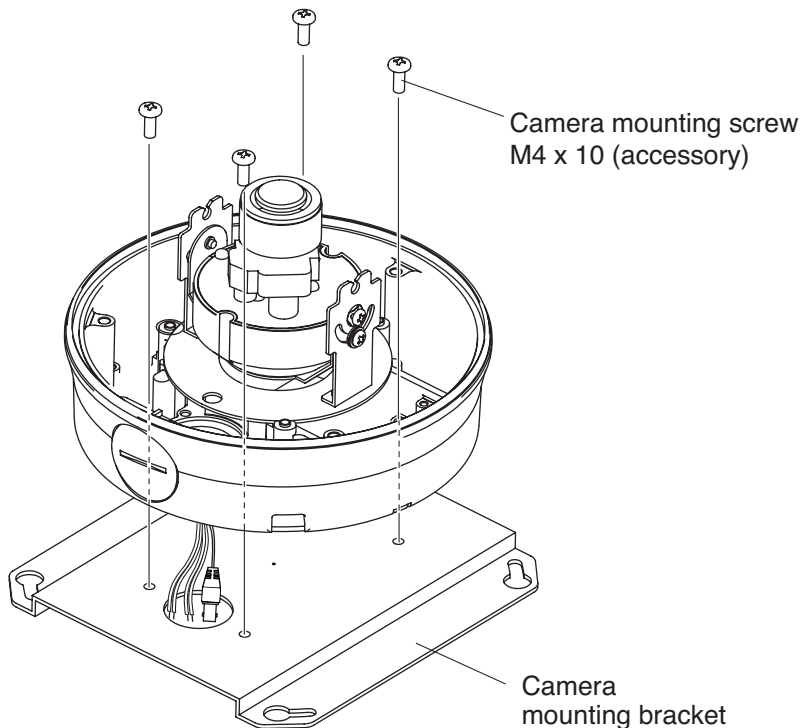
2. Slightly loosen 4 bracket mounting screws securing the camera mounting bracket, and rotate the camera mounting bracket counterclockwise to detach it from the flush ceiling mounting bracket.



3. Install the camera to the removed camera mounting bracket using the supplied M4 x 10 camera mounting screws.

**Note**

Water-resistant treatment needs to be applied for the camera depending on the installation location. For details, refer to the instruction manual attached to the camera.

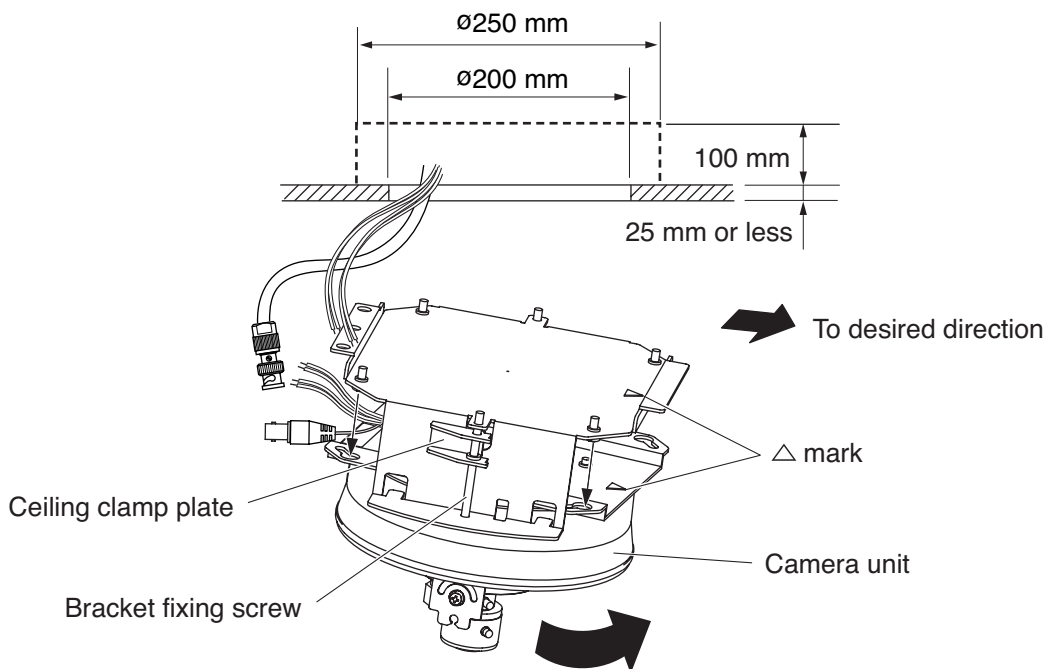


4. Fix the flush ceiling mounting bracket to the mounting hole.

- When inserting it into the mounting hole, direct the  $\Delta$  mark (camera direction mark) on the bracket to the desired direction.
- After inserting the bracket into the mounting hole, turn 2 bracket fixing screws clockwise with an electric screwdriver. The ceiling clamp plates are lowered to grip the ceiling.

**Note:** Confirm that the flush ceiling mounting bracket is securely fixed to the ceiling.

5. Connect the cable pulled out of the ceiling hole to the camera's cable.



6. Install the camera to the flush ceiling mounting bracket.  
Place 4 keyhole slots of the camera mounting bracket over the bracket mounting screws loosened in step 2, rotate the bracket clockwise to align the  $\triangle$  mark on the camera mounting bracket with that on flush ceiling mounting bracket, and then tighten the bracket mounting screws.

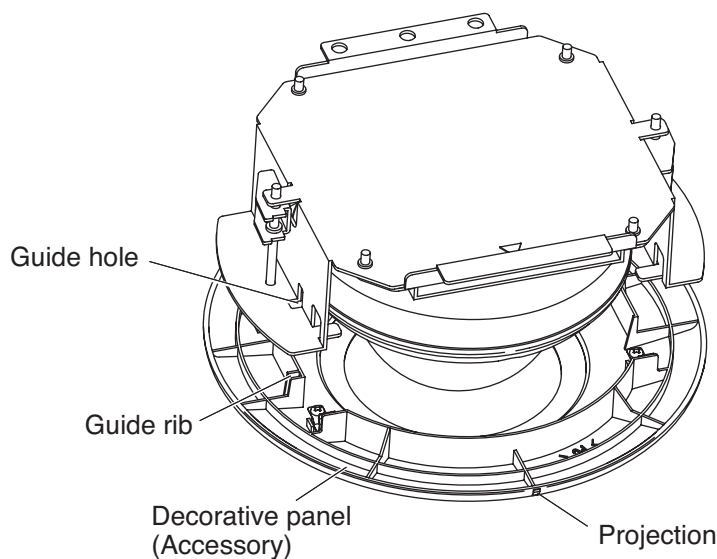
7. Attach both the inner cover and dome cover to the camera after camera adjustment completion.  
For details, refer to the instruction manual enclosed with the camera.

8. Attach the decorative panel.  
Align the decorative panel's guide ribs (2 points) with the guide holes in the flush ceiling mounting bracket, then insert the panel into the bracket. (Confirm that the decorative panel is securely fixed to the flush ceiling mounting bracket.)

When detaching the decorative panel:  
Pull down the decorative panel holding the portions around its 2 projections to detach the panel.

**Note**

When attaching the decorative panel, check that the safety wire connected to the decorative panel is not pinched.



**5. SPECIFICATIONS**

Finish	Decorative panel: PC resin, light gray Mount bracket: Rolled steel plate, black, paint
Dimensions	ø227 x 80.6 (H) mm (8.94" x 3.17")
Weight	930 g (2.05 lb)
Applicable camera	C-CV854D-3

**Note:** The design and specifications are subject to change without notice for improvement.

• **Accessories**

- Camera mounting screw ( M4 x 10) ..... 4
- Decorative panel ..... 1