

# IP INTERFACE MODULE

# SX-200IP

Thank you for purchasing TOA's IP Interface Module.

Please carefully follow the instructions in this manual to ensure long, trouble-free use of your equipment.

## 1. SAFETY PRECAUTIONS

- Before installation or use, be sure to carefully read all the instructions in this section for correct and safe operation.
- Be sure to follow all the precautionary instructions in this section, which contain important warnings and/or cautions regarding safety.
- After reading, keep this manual handy for future reference.

### **WARNING**

Indicates a potentially hazardous situation which, if mishandled, could result in death or serious personal injury.

- Should the following irregularity be found during use, immediately turn off the power supply to the SX-2100AI Audio Input Unit where the SX-200IP is installed and contact your nearest TOA dealer. Make no further attempt to operate the unit in this condition as this may cause fire or electric shock.
  - If you detect smoke or a strange smell coming from the unit
  - If water or metallic object gets on the circuit board
  - If the unit falls or breaks
  - If it is malfunctioning (no tone sounds.)
- Do not expose the unit to rain or an environment where it may be splashed by water or other liquids, as doing so may result in fire or electric shock.

## 2. GENERAL DESCRIPTION

The SX-200IP, designed to be installed in the SX-2100AI Audio input unit of the SX-2000 series, is an Interface module for connection to the N-8000 series.

By connecting the SX-200IP to a network (LAN or WAN), paging announcements can be made to the SX-2000 system using the N-8000 series' station(s) (N-8600MS and N-8610RM) employing the packet audio technology. Each function is set by the dedicated setting software on a PC.

## 3. FEATURES

- Up to 8 SX-200IPs can be used per SX-2000 System.
- Paging announcements can be made to up to 8 SX-2000 systems using the SX-200IPs.

## 4. SPECIFICATIONS

Network Section	Network I/F: 10BASE-T/100BASE-TX (Automatic-Negotiation) Network protocol: TCP/IP, UDP, HTTP, RTP, ARP, ICMP, IGMP Connector: RJ45 connector for LAN Voice sampling frequency: 16 kHz, 8 kHz (controllable on the software) 48 kHz sample rate is used for SX-2000 system only. Quantifying bit number: 16 bits Voice encoding method: Sub-band ADPCM, Cryptosystem Voice packet loss recovery: Silence insertion Audio delay time: 80 ms, 320 ms (controllable on the software)
Indicator	Operation indicator (RUN)
Operating Temperature	0 to 40 °C
Operating Humidity	90% RH or less (no condensation)
Finish	Panel: Pre-coated steel plate, black, 30% gloss
Dimensions	35 (w) x 119.5 (h) x 178.4 (d) mm
Weight	150 g

**Note:** The design and specifications are subject to change without notice for improvement.

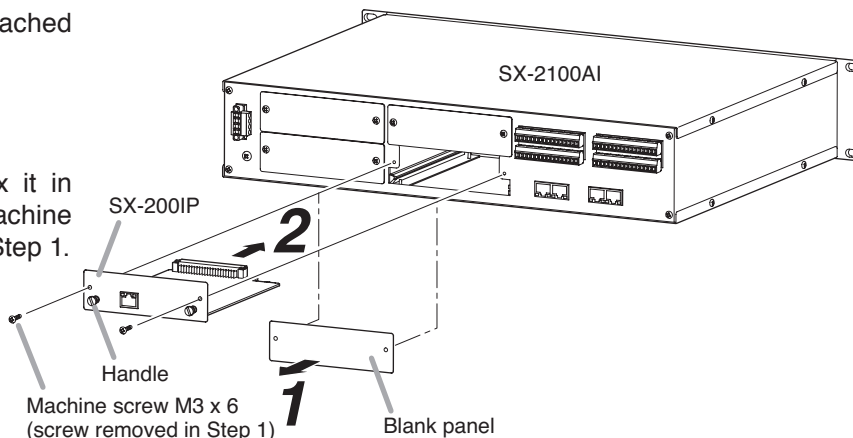
## 5. MODULE INSTALLATION

### Notes

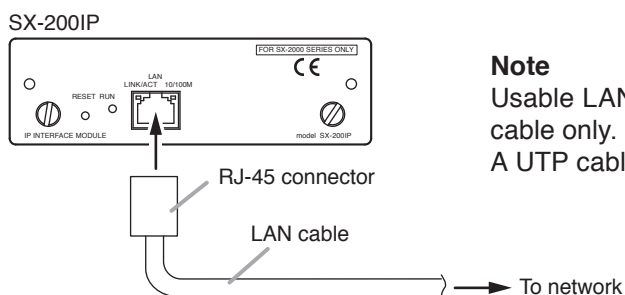
- Make sure that the power is switched OFF before attaching or detaching SX-200IPs.
- To avoid failures due to static electricity, do not touch the parts on the SX-200IP circuit board.
- Ensure that the SX-200IP is installed and secured with screws in the correct position.
- Two silver slotted screws at the left and right sides of the front panel are handles used for module detachment. Never rotate them because they do not function as screws.

**Step 1.** Remove the blank panel attached to the SX-2100AI's slot.

**Step 2.** Mount the SX-200IP.  
Insert the SX-200IP and fix it in place using the screws (Machine screws M3 x 6) removed in Step 1.



## 6. CONNECTION



### Note

Usable LAN cable is a STP Category 5 or greater straight through cable only.  
A UTP cable cannot be used.

## 7. NOTES ON SETTING

It is necessary to perform SX-200IP setting using both the SX-2000 Setting software and N-8000 Setting software.

### 7.1. SX-2000 Setting Software

The SX-200IP is recognized as the "D-922E/F" in the SX-2000 system. Set the SX-200IP as the "D-922E/F" on the SX-2000 Setting software. For the settings, read the SX-2000 Software instruction manual.

### 7.2. N-8000 Setting Software

For the settings, read chapter 5 of the N-8000 series instruction manual.

## 8. SX-200IP OPERATING REQUIREMENTS IN THE SX-2000 SYSTEM

- The SX-2000 Setting Software used for SX-2000 system settings should be Version 3.10 or later.
- The SX-2000 system components should be of the following firmware versions.

SX-2000SM, SX-2100AI, SX-2000AO, SX-2100AO	Version 3.10 or later
SX-2000CI, SX-2000CO	Version 2.01 or later

### Traceability Information for Europe

Manufacturer:  
TOA Corporation  
7-2-1, Minatojima-Nakamachi, Chuo-ku, Kobe, Hyogo, Japan

Authorized representative:  
TOA Electronics Europe GmbH  
Suederstrasse 282, 20537 Hamburg, Germany