

STANDARD HANDS-FREE MASTER STATION N-8011MS

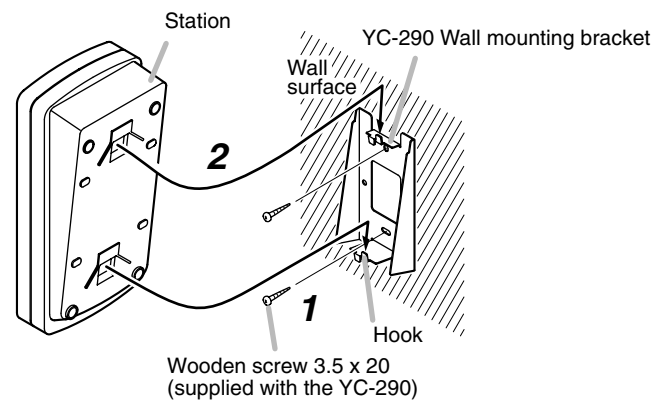
This Master Station is designed to connect to the IP Intercom Exchange, and provides hands-free conversation of high sound quality. With its space-saving design, this Master Station features the same functions as the Standard Master Station. Using an optional YC-290 Wall Mounting Bracket, this station can be mounted on a wall, or tilted for easy key operation when used on a desktop.

Warning
This is a class A product. In a domestic environment this product may cause radio interference in which case the user may be required to take adequate measures.

1. WALL MOUNTING

The station can be mounted on a wall using an optional YC-290 wall mounting bracket. The YC-290 can be installed to JIS standard one gang switch box.

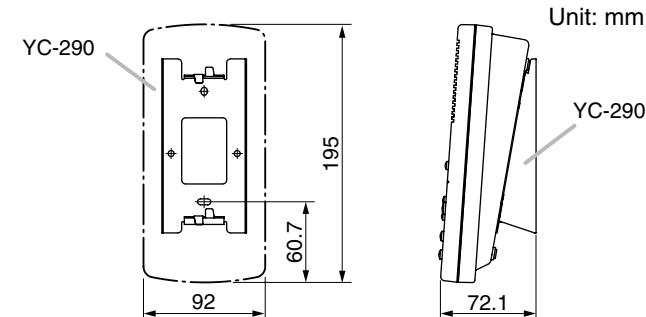
1.1. Mounting Example



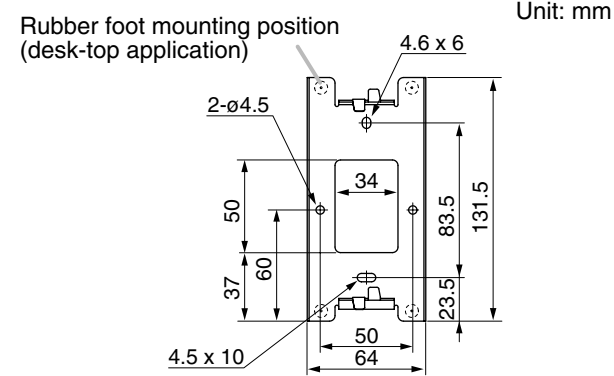
- Step 1.** Install the YC-290 Wall mounting bracket to the wall.
Notes
- Use appropriate screws for the construction of wall.
 - Wooden screws 3.5 x 20 are supplied with the YC-290.
 - No fitting screws for switch box are supplied.

- Step 2.** Hang the station on the Wall mounting bracket hook to install.
Push down the station main body in the direction indicated by the arrow.

[Installation completion drawing]



[YC-290 Dimensional drawing]

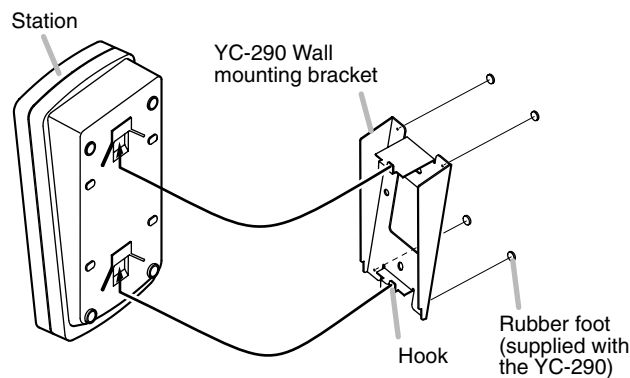


2. DESK-TOP INSTALLATION

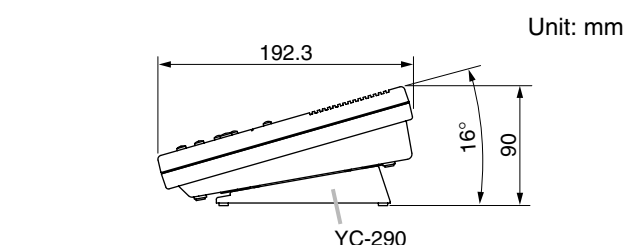
In desktop installations, the front operation panel can be inclined 16° from the desk surface for easier operation by attaching the YC-290 Wall Mounting Bracket to its bottom surface.

2.1. Mounting Example

Hang the Wall mounting bracket hook on the station's wall bracket mounting slot to install. Push up the Wall mounting bracket in the direction indicated by the arrow.

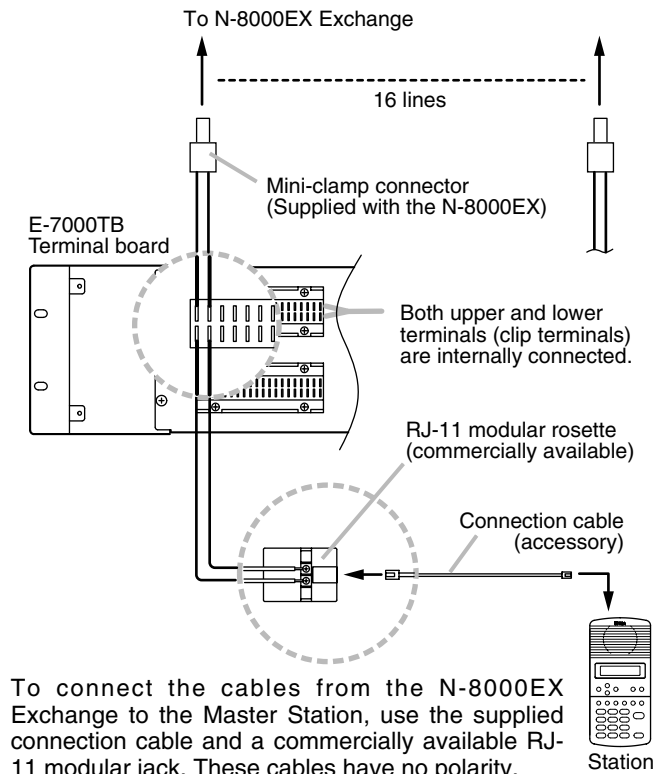


[Installation completion drawing]



3. WIRING

3.1. Connection Diagram



To connect the cables from the N-8000EX Exchange to the Master Station, use the supplied connection cable and a commercially available RJ-11 modular jack. These cables have no polarity.

3.2. The Type of Cables

The types of cables are to be determined according to the following conditions.

- Twisted pair wires (such as those used for electronic push-button telephone) are to be used for wiring between the Exchange and the stations in principle.
- The number of cables pairs laid should be determined considering the possibility of future expansion of the system.
- Outdoor wires should be used where wiring passes through inaccessible areas such as ceilings or under floors where the maintenance is not performed. Indoor wires may also be used, however, in case where there is no risk of deterioration due to exposure to heat, etc.

Note
Specifications related to each junction are as follows.

- Mini-clamp connector (N-8000EX line terminal)
Conductor diameter: ϕ 0.4 – 0.65 mm (AWG22 – 26), Solid wire
Outside diameter: ϕ 1.05 mm or below
- Clip terminal (E-7000TB)
Conductor diameter: ϕ 0.4 – 0.8 mm (AWG20 – 26), Solid wire
Outside diameter: ϕ 1.5 mm or below

3.3. Relations Between Core Diameter of Cable and Maximum Cable Length

Referring to the following chart as guidelines, design the distance between the Exchange and stations so that loop resistance value becomes 170 Ω or less.

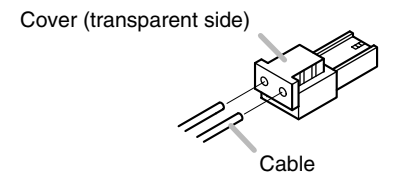
Conductor diameter (mm)	Loop resistance (Ω /km)	Maximum cable length between the Exchange and station (Assuming that the loop resistance is 170 Ω .)
ϕ 0.4	295	570 m
ϕ 0.5	187	900 m
ϕ 0.65	113	1.5 km
ϕ 0.9	58	2.9 km

3.4. Mini-Clamp Connector Connection

Mini-clamp connectors for line terminals are supplied with the N-8000EX Exchange. Connect the mini-clamp connector to a cable using a commercially available tool (pliers).

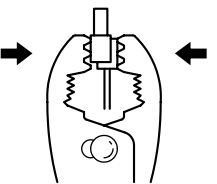
- Step 1.** Cut off two-cable ends in equal length, and insert them securely to a cover section (transparent side) of the mini-clamp connector.

Note
Insert the cable without stripping the cable jacket.



- Step 2.** With a pair of pliers, lightly pinch the mini-clamp cover and, after ensuring that the cable is securely inserted, firmly squeeze on the cover.

Note
Squeeze on the mini-clamp cover until it is correctly locked.



- Step 3.** Insert the wired connector (plug) into the exchange's connector (socket) until it locks into place.

