

SCOUT® SERIES UHF WIRELESS MICROPHONE SYSTEMS



TOA SCOUT® SERIES WIRELESS MICROPHONE SYSTEMS combine cutting edge wireless technology with user benefits such as fast setup, simple operation, and reliable performance. The systems are frequency-agile with sixteen user-selectable channels in the uncrowded UHF band (692 - 722 MHz) with simultaneous operation of up to sixteen systems.

The WT-4810 True Diversity Receiver has two built-in antennas and two squelch types, noise and carrier, to ensure quiet, interference-free operation. A convenient Mix-In jack allows the connection of the audio output of a second WT-4810 or other source. Handheld transmitters include the WM-4210 Dynamic for vocals and the WM-4220 Condenser for speech. Bodypack transmitters include the WM-4310 Lapel, WM-4310A Aerobics/Fitness Headset and the WM-4310H Speech Headset. All transmitters offer ten hours of operation from one nine volt battery with low battery indication. The bodypack transmitters also have a recessed on/off switch to prevent accidental shut-off and a rotatable bodypack clip for versatile mounting.

Scout® Series wireless systems are FCC and UL listed and are backed by a two year warranty.



HIGHLIGHTS

Applications

- A/V Rentals
- Bingo Halls
- Boardrooms
- Community Centers
- Fitness Clubs
- Hotels
- Houses of Worship
- Presenters
- Restaurants
- Schools
- Theatres

Features

- Professional Portable Wireless Microphone Systems
- Frequency-Agile — Sixteen Channels
- UHF Band (692 - 722 MHz)
- Up to Sixteen Simultaneous Systems
- True Diversity Reception
- Handheld, Lapel and Headset Microphone Systems
- Ten Hours Continuous Transmitter Operation from One Nine Volt Battery
- FCC & UL Listed
- Five Year Warranty

SCOUT® SYSTEMS

Scout-HV	Handheld Mic (Vocal) and Receiver
Scout-HS	Handheld Mic (Speech) and Receiver
Scout-L	Lapel Mic and Bodypack, and Receiver
Scout-AH	Aerobics Headset Mic and Bodypack, and Receiver
Scout-SH	Speech Headset Mic and Bodypack, and Receiver
Scout-HVL	Handheld (Vocal)/Lapel Combo., and One Receiver*
Scout-HSL	Handheld (Speech)/Lapel Combo., and One Receiver*

* Each receiver supports one transmitter at a time.

SPECIFICATIONS

SCOUT® SERIES

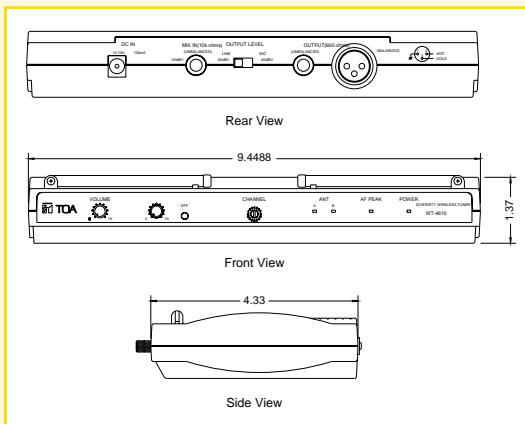
Tel: 800-733-7088 Fax: 800-733-9766
www.toaelectronics.com



WT-4810 TRUE DIVERSITY RECEIVER

- 16 Channel Frequency-Agile
- True Diversity Reception
- Two Built-in Antennas
- Two Squelch Types (Carrier, Noise)
- Adjustable Squelch Control
- Output Volume Control
- Outputs: Balanced XLR-M and Unbalanced 1/4" Phone Jack
- Mic/Line Switch
- Mix-In Jack
- Antenna A/B, Peak and Power LEDs
- Also Compatible With Password® Series Transmitters, WM-4200 and WM-4300 (64 Channel Frequency-Agile)

DIMENSIONAL DRAWING



WT-4810

Model No.	WT-4810
Frequency Range	692 - 722 MHz
Selectable Channels	16
Receiving System	Double super-heterodyne
Diversity Method	TOA space diversity
S/N Ratio	Greater than 104 dB (A-weighted)
Harmonic Distortion	Less than 1%
Frequency Response	100 Hz - 12 kHz, ± 3 dB
Receiving Sensitivity	Greater than 80 dB, S/N ratio (20 dB μ V input, 40 kHz deviation)
Squelch System	Noise and Carrier
Squelch Sensitivity	18 - 40 dB μ V variable
Audio Outputs	<ul style="list-style-type: none">■ Connectors: XLR-3-31 (male), balanced (Pin #2 Hot) 1/4" phone jack, unbalanced■ Level: MIC: -60 dBV (1 mV) LINE: -20 dBV (100 mV)■ Output Impedance: 600 Ω *MIC/LINE Switch affects both outputs.
Mix Input	<ul style="list-style-type: none">■ Connector: 1/4" phone jack (unbalanced)■ Level: -20 dBV (100 mV)■ Input Impedance: 10 kΩ
Antennas	Two 1/4 wave rod antennas (fixed-mount)
Indicators	LED: ANT A/B, AF PEAK (3 dB below clipping)
Controls	Channel Select, RF Check, Squelch, Volume
Power Requirement	AC mains (using supplied AC-DC adapter)
Power Consumption	130 mA (12 VDC)
Operating Temperature	+14° F to +122° F (-10° C to +50° C)
Finish	Resin, black
Dimensions (W x H x D)	9.45" x 1.38" x 4.33" (240 mm x 35 mm x 110 mm)
Weight	2.32 lbs. (1.05 kg)
Accessories	(1) AC-DC adapter (120 VAC, 60 Hz) (1) Frequency-adjust screw driver



WM-4210 VOCAL HANDHELD MICROPHONE

- 16 Channel Frequency-Agile
- Optimized for Vocals/Singing
- Dynamic Mic Element
- Unidirectional, Cardioid Pattern
- Low Handling Noise
- Ten Hours Continuous Operation from One Nine Volt Battery
- Low Battery Indication
- Mic Clip and Carrying Pouch Included
- Also Compatible with Password® Series WT-4800 Diversity Receiver (64 Channel Frequency-Agile)



WM-4220 SPEECH HANDHELD MICROPHONE

- 16 Channel Frequency-Agile
- Optimized for Speech
- Electret Condenser Mic Element
- Unidirectional, Cardioid Pattern
- Low Handling Noise
- Ten Hours Continuous Operation from One Nine Volt Battery
- Low Battery Indication
- Mic Clip and Carrying Pouch Included
- Also Compatible with Password® Series WT-4800 Diversity Receiver (64 Channel Frequency-Agile)



WM-4310 LAPEL MICROPHONE WITH BODYPACK

- 16 Channel Frequency-Agile
- Hands-free Operation
- Electret Condenser Mic Element
- Unidirectional, Cardioid Pattern
- Adjustable Input Sensitivity
- 10 Hours Continuous Operation from One Nine Volt Battery
- Low Battery Indication
- Recessed On/Off Switch
- Screw-on Locking Connector
- Rotating Lapel and Bodypack Clips
- Mic Clip and Carrying Pouch Included
- Also Compatible with Password® Series WT-4800 Diversity Receiver (64 Channel Frequency-Agile)



WM-4310A HEADSET MICROPHONE WITH BODYPACK FOR AEROBICS/FITNESS

- 16 Channel Frequency-Agile
- Comfortable and Lightweight Hands-free Operation
- Moisture-resistant Electret Condenser Mic Element
- Unidirectional, Cardioid Pattern
- Flexible Positioning
- Detachable Foam Windscreen
- Adjustable Input Sensitivity
- Ten Hours Continuous Operation from One Nine Volt Battery
- Low Battery Indication
- Recessed On/Off Switch
- Screw-on Locking Connector
- Rotating Bodypack Clip
- Detachable Sweatband and Moisture-Resistant Waist Pouch Included
- Also Compatible with Password® Series WT-4800 Diversity Receiver (64 Channel Frequency-Agile)



WM-4310H HEADSET MICROPHONE WITH BODYPACK

- 16 Channel Frequency-Agile
- Comfortable and Lightweight Hands-free Operation
- Electret Condenser Mic Element
- Unidirectional, Cardioid Pattern
- Flexible Positioning
- Detachable Foam Windscreen
- Adjustable Input Sensitivity
- Ten Hours Continuous Operation from One Nine Volt Battery
- Low Battery Indication
- Recessed On/Off Switch
- Screw-on Locking Connector
- Rotating Bodypack Clip
- Carrying Pouch Included
- Also Compatible with Password® Series WT-4800 Diversity Receiver (64 Channel Frequency-Agile)

SPECIFICATIONS

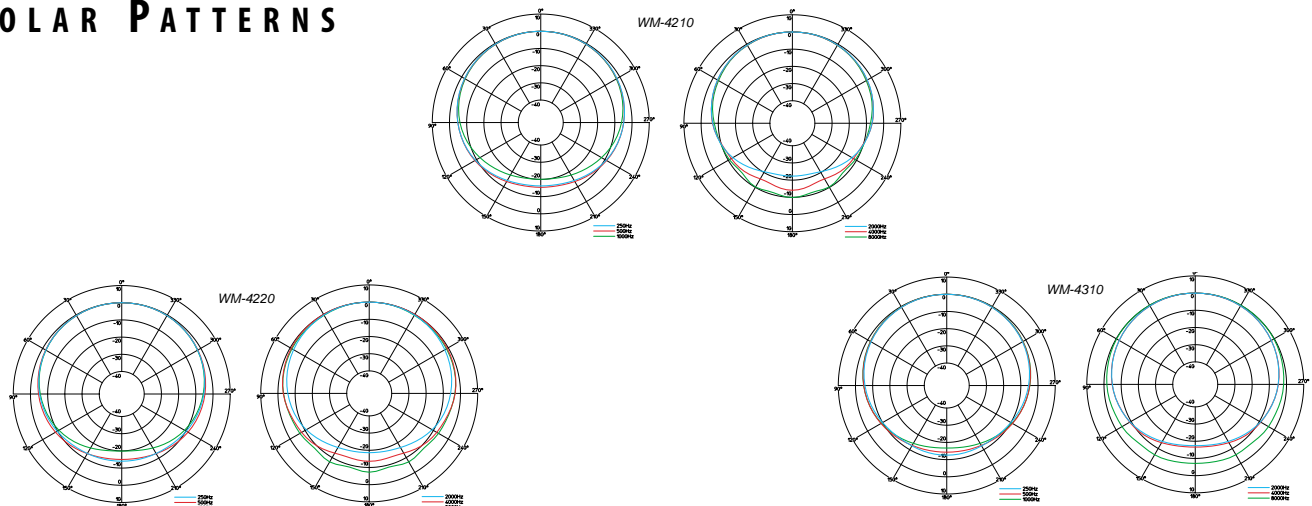
SCOUT® SERIES

Tel: 800-733-7088 Fax: 800-733-9766
www.toaelectronics.com



Model No.	WM-4210	WM-4220	WM-4310	WM-4310H	WM-4310A
Description	Handheld Microphone (Vocal)	Handheld Microphone (Speech)	Lapel Microphone w/ Bodypack	Headset Microphone (Speech) w/ Bodypack	Headset Microphone (Aerobics) w/ Bodypack
Microphone Element	Dynamic, cardioid	Electret condenser, cardioid	Electret condenser, cardioid		
Maximum Input Level	130 dB SPL	125 dB SPL	120 dB SPL		
Transmission Method	Frequency Modulation (F3E)				
Frequency Range	692 - 722 MHz				
Selectable Channels	16				
RF Carrier Power	Less than 50 mW				
Maximum Deviation	±40 kHz				
Transmission Distance	394 ft. (120 m) (free field, with WT-4800)				
Modulation System	PLL Synthesizer				
Tone Frequency	32.768 kHz				
Battery	9 V (6LR61) x 1, minimum 10 hours operation (alkaline type)				
Indicator	Power LED - flashes to indicate low battery level (< 6 VDC)				
Antenna	Internal		1/4 wave helical-type		
Controls	Power On/Off (recessed), Channel Select		Power On/Off (recessed), Channel Select, Sensitivity		
Connector	—		0.14" (3.5 mm) dia. plug		
Cable Length	—		4.78 ft. (1.45 m)		
Operating Temperature	+14° F to +122° F (-10° C to +50° C)				
Finish	Resin, dark gray				
Dimensions	1.97" dia. x 9.26" (50 mm x 235.2 mm)	1.77" dia. x 9.26" (45 mm x 235.2 mm)	2.44" W x 5.59" H x 1.26" D (62 mm x 142 mm x 32 mm)		
Weight (with battery)	0.60 lbs. (270 g)	0.55 lbs. (250 g)	0.33 lbs. (150 g)		
Accessories	(1) Stand adapter (1) Storage case (1) Frequency-adjust screw driver		(1) Lapel clip (1) Storage case	(1) Frequency-adjust screw driver	(1) Moisture-proof waist pouch (1) Frequency-adjust screw driver

POLAR PATTERNS



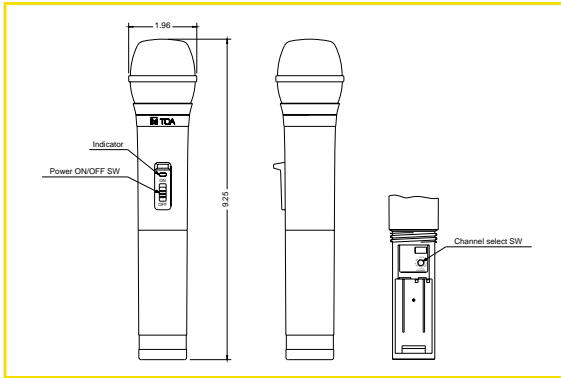
SPECIFICATIONS

SCOUT® SERIES

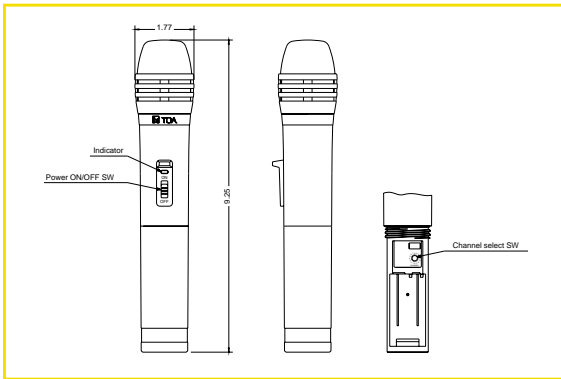
Tel: 800-733-7088 Fax: 800-733-9766
www.toaelectronics.com



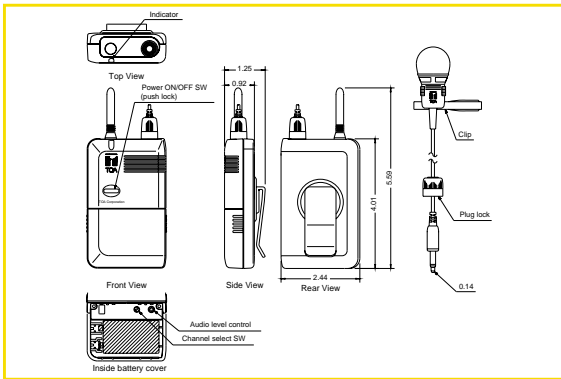
DIMENSIONAL DRAWINGS



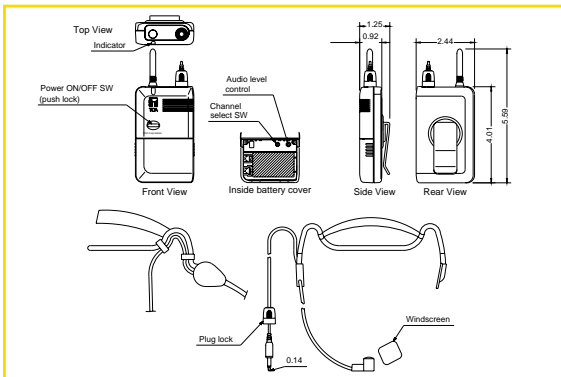
WM-4210



WM-4220



WM-4310



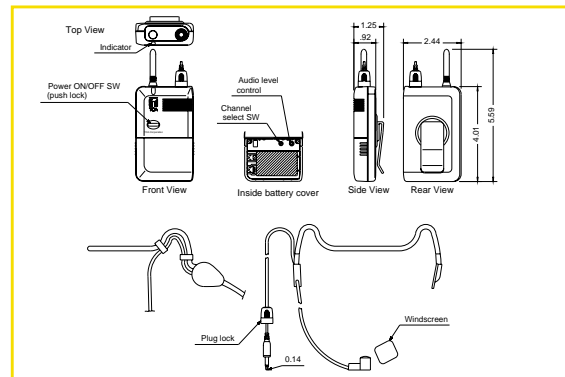
WM-4310A

SCOUT® FREQUENCIES

Wireless Channel	Frequency (MHz)	US UHF TV Channel
0	692.125	51
1	692.475	51
2	692.925	51
3	693.475	51
4	694.125	51
5	695.025	51
6	696.475	51
7	698.225	52
8	700.125	52
9	702.775	52
A	703.875	52
B	706.625	53
C	709.725	53
D	713.925	54
E	716.125	55
F	720.975	55

Note:

Scout® wireless systems operate in the UHF frequency band of 692 - 722 MHz, the same as US TV Channels 51 to 55. Interference may occur from existing TV channels within this band, depending on proximity to the TV transmitter tower. If all of the above TV Channels are active in your area, please contact TOA to arrange for an alternative custom range of frequencies (additional charge).



WM-4310H

Wireless Microphone System

The wireless microphone system shall be of professional quality with an operating frequency range from 692 to 722 MHz with 16 selectable channels and simultaneous operation of up to sixteen systems. The transmission method shall be frequency modulation (F3E) using a PLL-based modulation system. RF carrier power shall be no greater than 50 mW. Transmission distance as measured in free field shall be 394 ft. (120 m). The system shall be FCC and UL listed with a two year manufacturer's warranty.

Wireless Receiver

The wireless receiver shall have 16 selectable channels. The receiving method shall be double super-heterodyne using antenna switching diversity. Specifications shall include a S/N ratio of greater than 104 dB (A-weighted), harmonic distortion of less than 1% and frequency response of 100 Hz - 12 kHz, ± 3 dB. The receiving sensitivity shall be greater than 80 dB with 20 dB μ V input and 40 kHz deviation. Squelch types shall be carrier and noise with a variable squelch sensitivity of 18 - 40 dB μ V. The unit shall have two fixed-mount antennas. The main audio outputs shall be balanced type with XLR-M jack, and unbalanced type with 1/4" phone jack, both with an output impedance of 600 ohms and switchable sensitivity between MIC (-60 dBV / 1 mV and LINE (-20 dBV / 100 mV). A Mix Input, unbalanced type with 1/4" phone jack with an input impedance of 10 kohms and sensitivity of -20 dBV/100 mV shall allow the connection of the output of a second receiver or other audio source to be mixed with the main receiver output signal. Front panel LED's shall include AF PEAK that lights at 3 dB below clipping and ANT A/B. Front panel controls shall include Check, Squelch and Volume. The wireless receiver shall be powered from the AC mains using a supplied AC-DC adapter with a power consumption of

250 mA (12 VDC). The unit shall operate within a temperature range of +14° F to +122° F (-10° C to +50° C). Unit construction shall be black resin with dimensions of 9.45" W x 1.38" H x 4.33" D (240 mm x 35 mm x 110 mm) and weight of 2.32 lbs. (1.05 kg). Included accessories shall be an external AC-DC adapter (120 VAC, 60 Hz) and frequency-adjust screw driver.

Wireless Microphone Transmitters

The handheld wireless microphone transmitter shall have a cardioid pattern and be dynamic type capable of a maximum input level of 130 dB SPL or electret condenser type capable of a maximum input level of 125 dB SPL. The lapel microphone with bodypack shall be electret condenser type with a cardioid pattern and be capable of a maximum input level SPL of 120 dB SPL. The headset (speech) microphone with bodypack shall be electret condenser type with a cardioid pattern and be capable of a maximum input level SPL of 120 dB SPL. The headset (aerobics) microphone with bodypack shall be electret condenser type with a cardioid pattern and be capable of a maximum input level SPL of 120 dB SPL.

The transmission method shall be frequency modulation (F3E) with a PLL-based modulation system operating in the frequency range of 692 - 722 MHz with 16 selectable channels. The RF carrier power shall be no greater than 50 mW with maximum deviation of ± 40 kHz and a tone key frequency of 32.768 kHz. The unit shall operate for a minimum of 10 hours using a 9 V (6LR61), alkaline type battery. A power LED shall glow continuously to indicate normal operation and flash to indicate low battery level (< 6 VDC). The transmitter shall utilize a 1/4 wave helical antenna. Transmitter controls shall include Power On/Off, Channel Select and Input Sensitivity Adjust (bodypack). The bodypack shall include a 0.14" (3.5 mm) dia. input jack and a

rotatable attachment clip. The transmitters shall operate within a temperature range of +14° F to +122° F (10° C to +50° C). The transmitters shall be constructed of black resin. Dimensions shall be 1.97" dia. x 9.26" (50 mm x 235.2 mm) for the dynamic handheld, 1.77" dia. x 9.26" (45 mm x 235.2 mm) for the condenser handheld and 2.44" W x 5.59" H x 1.26" D (62 mm x 142 mm x 32 mm) for the lapel and headset bodypack. The lapel microphone cable length shall be 4.76 ft. (1.45 m). The weight (with battery) shall be 0.60 lbs. (270 g) for the dynamic handheld, 0.55 lbs. (250 g) for the condenser handheld and 0.33 lbs. (150 g) for the bodypack. Included accessories shall be a frequency-adjust screw driver and storage case, stand adapter (handheld) and rotatable lapelclip (lapel/bodypack). The aerobics headset shall also include a sweatband and moisture-proof waist pouch.

The diversity wireless receiver shall be the TOA WT-4810.

The wireless handheld dynamic microphone shall be the TOA WM-4210.

The wireless handheld condenser microphone shall be the TOA WM-4220.

The wireless lapel microphone with bodypack shall be the TOA WM-4310.

The wireless aerobics headset microphone with bodypack shall be the TOA WM-4310A.

The wireless headset microphone with bodypack shall be the TOA WM-4310H.

TOA Electronics, Inc.

601 Gateway Boulevard
Suite 300
South San Francisco, CA 94080

Tel: 800-733-7088 Fax: 800-733-9766

www.toaelectronics.com

TOA Canada Corp.

Tel: 905-564-3570 Fax: 905-564-3569