



TOA PROFESSIONAL SOUND SPEAKER SYSTEM

model SM-68



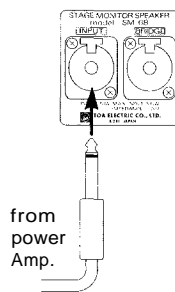
General Description

The SM-68 is a full-range, small monitor speaker system with power handling of 210 watts (continuous program material) and an input impedance of 8 ohms, as well as with a variable attenuator. Its sealed box enclosure houses two full-range cone speakers (5-inch, 12cm) with high efficiency and durability. The enclosure is made of cast aluminum, so that it can withstand the roughest use. With an accessory bracket, the SM-68 is mountable on microphone stands (Fig. 1), microphone stand shafts (1.10" MAX) (Fig. 2), plates (Fig. 3) and walls (Fig. 4).

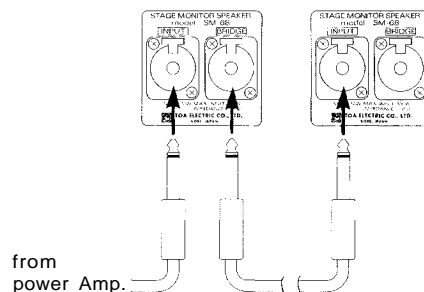
How to Connect

In case of using one SM-68

In case of using two SM-68's in parallel



Tip = Hot (+)
Sleeve = Com. (-)
Imp. = 8 ohms



Tip = Hot (+)
Sleeve = Com. (-)
Total Imp. = 4 ohms

Fig. 1

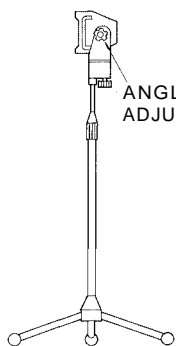


Fig. 2

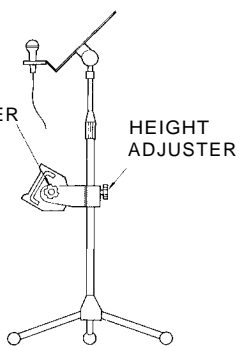


Fig. 3

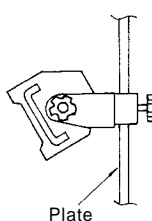
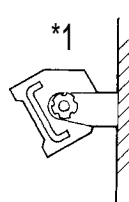
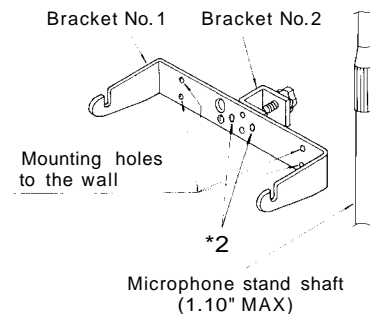


Fig. 4



*1 When carrying out the installation of Fig. 4 first take off the bracket No.2 and install the bracket No.1 on the wall with the wooden screws.



*2 Bracket No.2 will change in position by 90 degrees when these mounting holes are used.

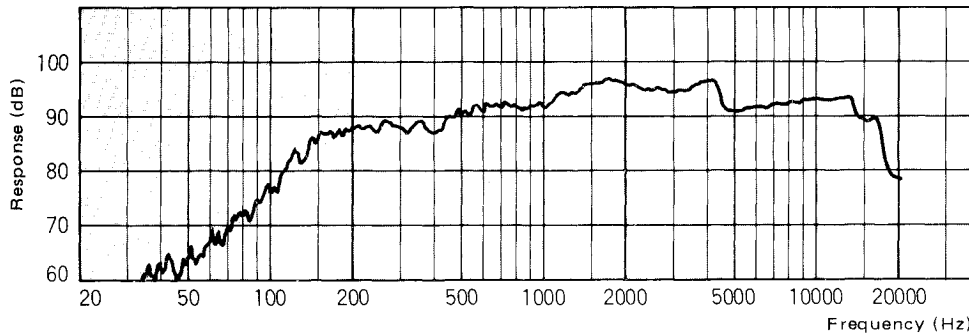


● General Specifications

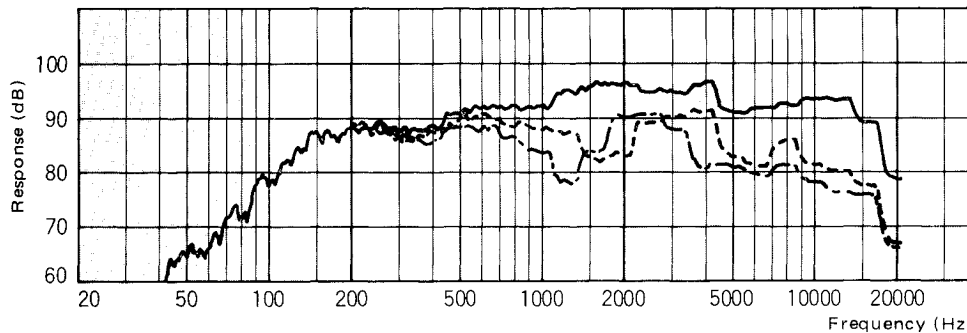
Enclosure	Sealed type
Speakers	Two 5-inch (12cm) full-range cone speakers
Power Handling Capacity	
Continuous Pink Noise	70 watts RMS of band-limited pink noise (50~20kHz)
Continuous Program	210 watts
Impedance	8 ohms
Sensitivity	90 dB (1W/1m)
Frequency Response	110Hz ~ 16kHz
Attenuation	0dB to 40dB or more
MATERIAL (Finish)	Front Grill . . . Perforated metal (Black) Body Cast aluminum (Black)
Connectors	Locking 1/4" phone jacks
Dimensions	12.8 (W) x 6.7 (H) x 5.5 (D) inches 325 (W) x 170 (H) x 140 (D) mm
Weight	Approx. 10.6 pounds (4.8kg)

● Characteristic Diagrams (Pink Noise)

Frequency Response (1W/1m)

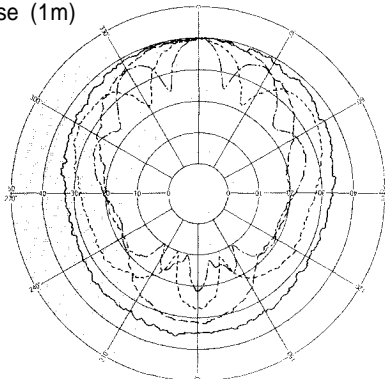


Directional Frequency Response (1W/1m)



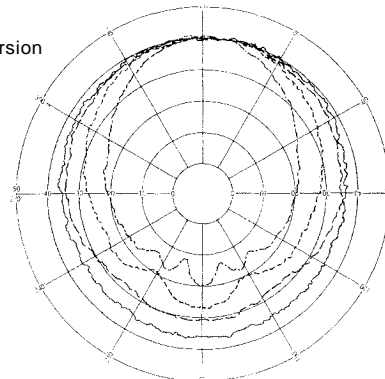
Polar Response (1m)

Horizontal Dispersion



Scale is 10dB per division

Vertical Dispersion



Scale is 10 dB per division

Notice

1. For stereo system and multiple loudspeaker system use, observe loudspeaker polarity.
2. Do not connect the loudspeaker to a live program source of unknown output power level. Adjust system level controls for full attenuation before connections are made.