

**DESCRIPTION**

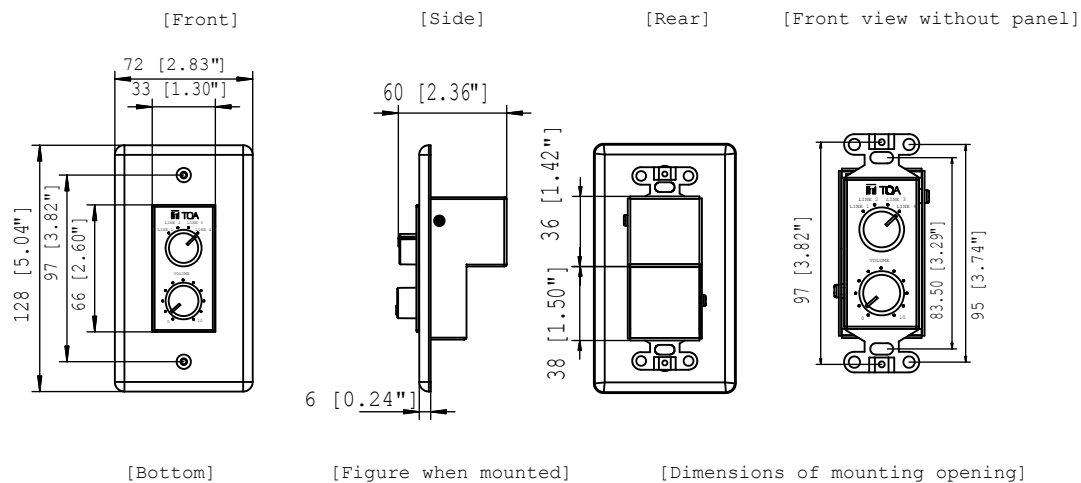
The WP-700-AM is a remote control switch/volume panel that designed for MA-725F (or MM-700F) amplifiers, which can remote select input source and adjust volume level through Ethernet cable connected to MA-725F (or MM-700F) amplifier. Also it can be mounted in a 1-gang electrical box (American type).

**SPECIFICATIONS**

<b>Applicable Cable</b>	CAT5/5e/6STP cable
<b>Control Operation</b>	Input select switch x1, Volume control knob x1
<b>Terminal</b>	RJ-45 connector
<b>Operation Temperature</b>	-10°C to40°C (14° F to104° F)
<b>Finish</b>	Surface treated steel plate, white paint (RAL9016)
<b>Dimension</b>	72 (W) x128 (H) x60 (D) mm (2.83"x5.04"x2.36")
<b>Weight</b>	210g (0.463lb)
<b>Accessory</b>	Box mountingscrew No.6-32UNC x30 ———— 2 Panel mountingscrew No.6-32UNC x6 ———— 2

Note: Since no electrical box is supplied with the unit, prepare it separately.

**APPEARANCE**



Unit: mm [inch]

If the opening is too small or too large, the WP-700-AM cannot be mounted in the wall. Be sure to make an opening with dimensions given above when mounting.