

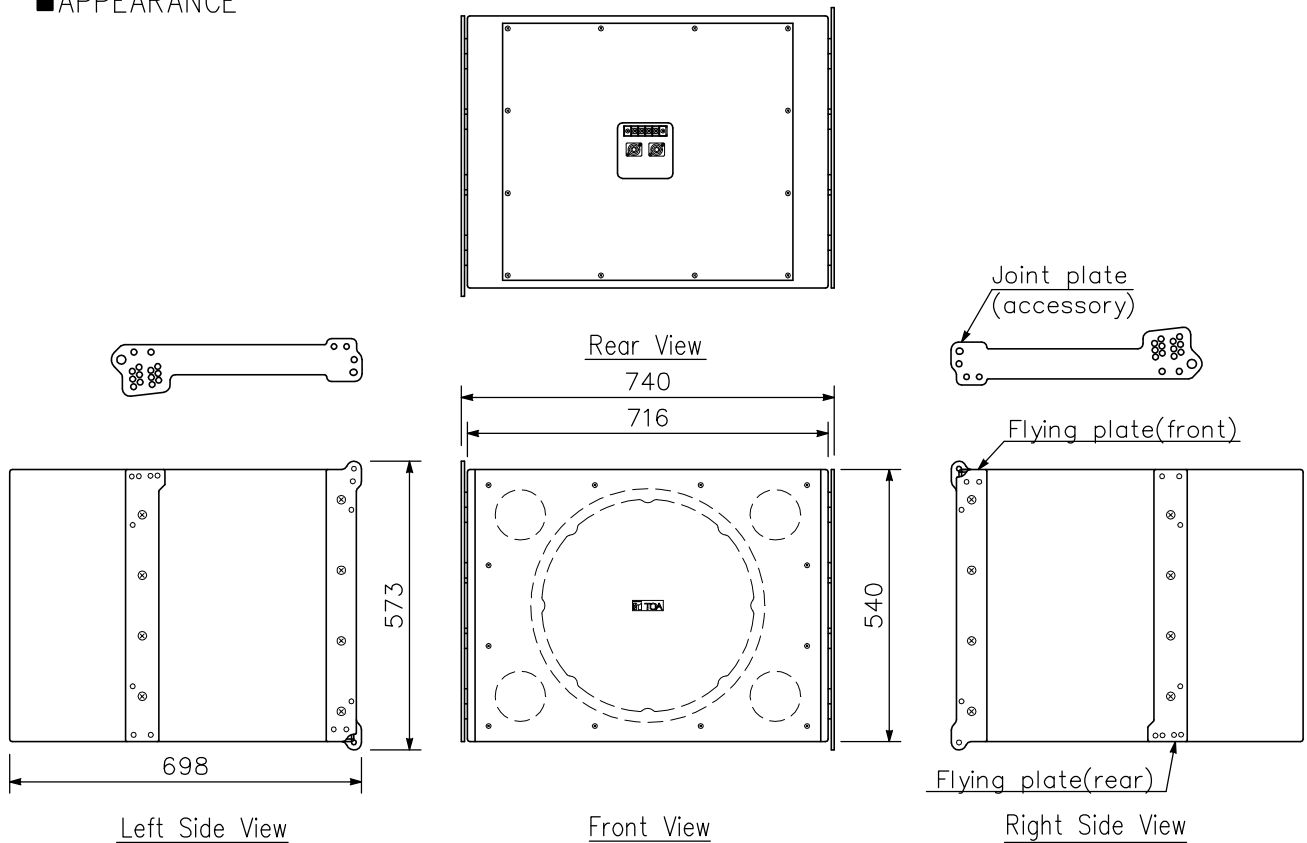
## DESCRIPTION

The SR-A18B is a sub-woofer system designed to be used in conjunction with the SR-A12L or SR-A12S Line array speaker.  
The SR-A18B employs the multi-amplifier drive system and is designed to be used in conjunction with the optional DP-0206 Digital Processor.

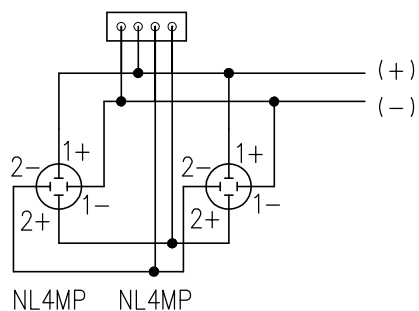
## SPECIFICATIONS

Enclosure	Bass-reflex type
Power Handling Capacity	Continuous program: 720 W
Rated Impedance	8 Ω
Sensitivity	95 dB (1 W, 1 m)
Frequency Response	40 - 400 Hz (when using DP-0206 (option))
Crossover Frequency	80 Hz (when using DP-0206 (option))
Speaker Component	46 cm cone-type
Input Connector	M5 screw terminal, distance between barriers: 12.2 mm and Neutrik NL4MP x 2
Finish	Enclosure: Plywood, black, paint Front grille: Punched steel plate, black, acrylic paint
Dimensions	740 (W) x 573 (H) x 698 (D) mm
Weight	66 kg (including accessories)
Accessory	Joint plate x2, Joint plate mounting bolt (M10) x16
Option	Rigging frame: SR-RF12 Digital processor: DP-0206

## APPEARANCE



Screw terminal 4P



Wiring Diagram

UNIT:mm SCALE:1/15