

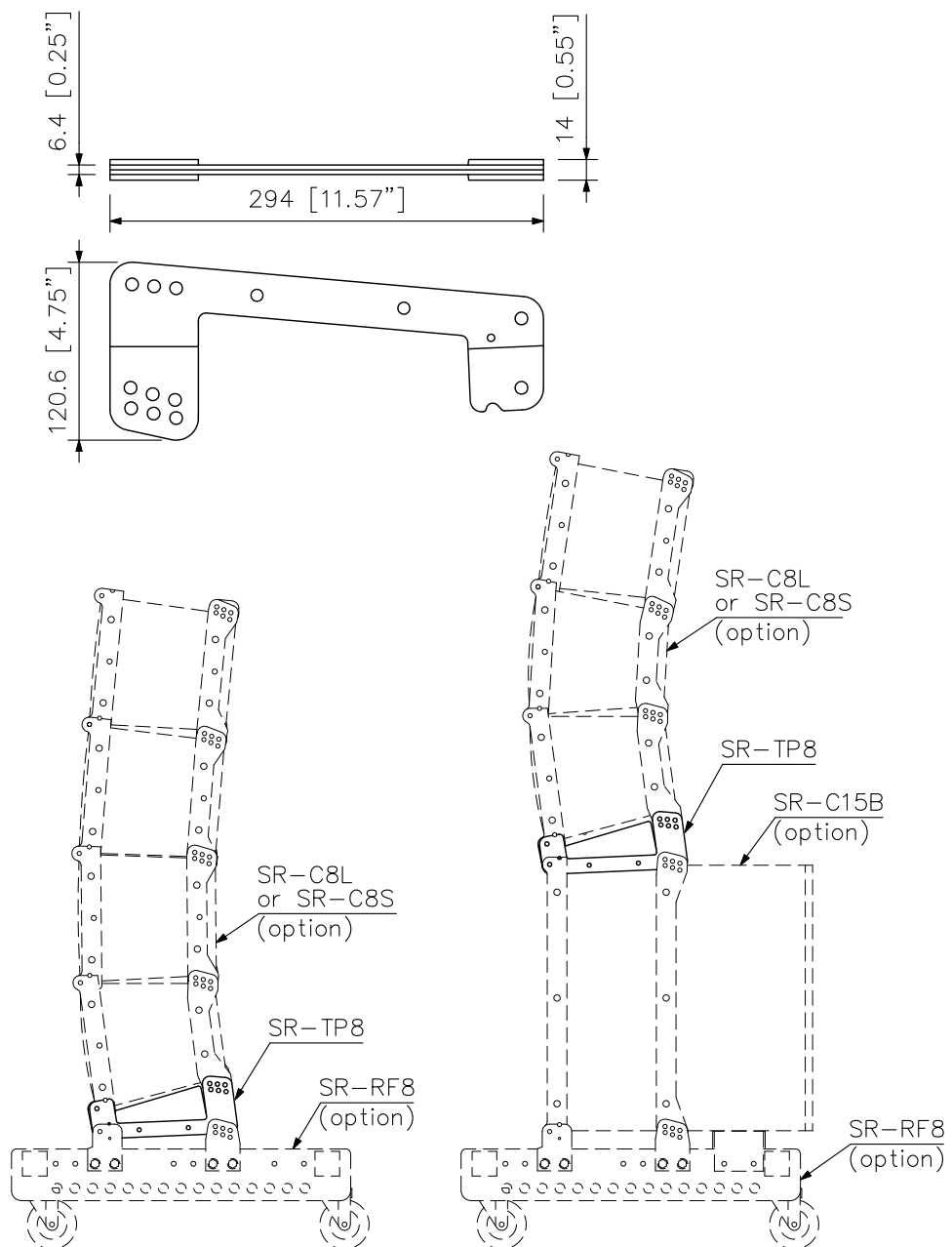
DESCRIPTION

The SR-TP8 Tilt Joint Bracket is designed to tilt the line array speaker in the lowermost position downward when stacked.
It comes in a set of 2 brackets.

SPECIFICATIONS

Applicable Speaker	SR-C8L, SR-C8S
Variable Angle Range to be Mounted	5° - 15°
Finish	Steel plate, black, paint
Weight	1.7 kg (3.75 lb) (1 pair)

APPEARANCE



Note: Casters are required by use.

Example of stacked system (scale:1/15)

UNIT:mm SCALE:1/5