

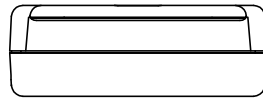
DESCRIPTION

The TS-919B1 is a Bridge unit for connecting a single Wired Conference unit of the TS-811, TS-911, TS-812, or TS-912. It connects to the conference unit with a Category 5 cable.

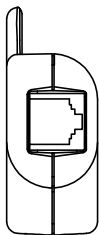
SPECIFICATIONS

Power Source	24 V DC (supplied from the TS-918 Expansion Unit (option))
Current Consumption	Max. 16 mA
Branching loss	Upstream: 16.5 dB Downstream: 16 dB
Insertion loss	Upstream: 1 dB Downstream: 0.5 dB
Connection Terminal	Communication cable connection terminal: RJ45 connector × 2 Conference unit connection terminal: RJ45 connector
LED Indicator	Connection status indicator
Number of Connectable Chairman/Delegate Units	1 unit
Operating Temperature	0 °C to +40 °C (32 °F to 104 °F)
Operating Humidity	90 %RH or less (no condensation)
Finish	ABS resin, black
Dimensions	68 (W) × 60.3 (H) × 24 (D) mm (2.68" × 2.37" × 0.94")
Weight	40 g (1.41 oz)

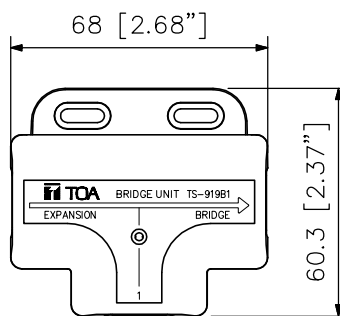
APPEARANCE



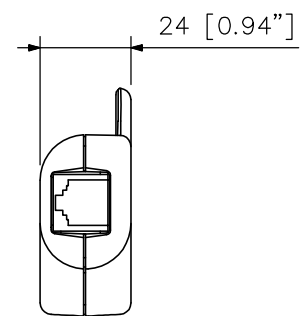
Top View



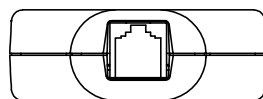
Left Side View



Front View



Right Side View



Bottom View

UNIT: mm SCALE: 1/2