

LAVALIER MICROPHONES

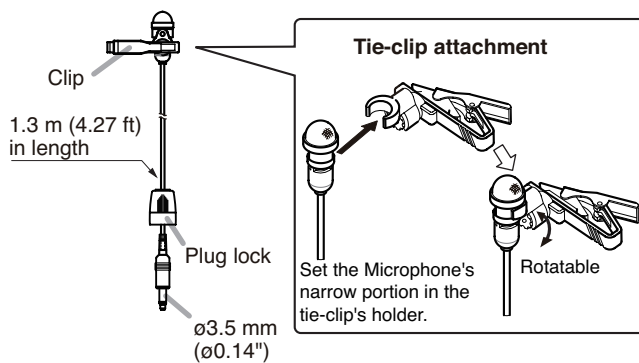
YP-M5300 YP-M5310

1. GENERAL DESCRIPTION

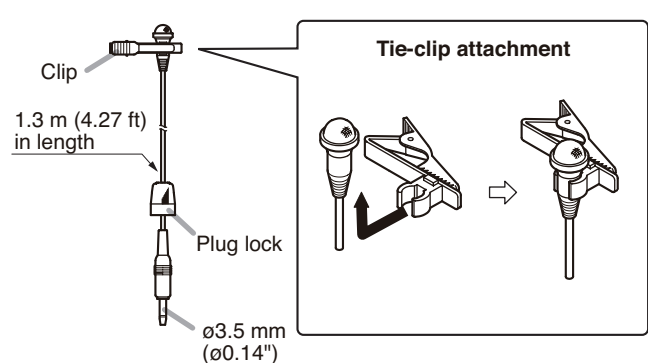
The YP-M5300 and YP-M5310 Lavalier microphones are designed for use with TOA wireless transmitter. The YP-M5300 features rotation mechanism on the tie clip, allowing the microphone direction to be adjusted for the best sound pickup.

2. NOMENCLATURE

[YP-M5300 (Unidirectional)]



[YP-M5310 (Omnidirectional)]



3. OPERATION

Confirm the Wireless transmitter's power is off, then connect the microphone's mini-plug to the microphone input jack.

Clip the microphone to your clothing, preferably 15 – 20 cm (5.91" – 7.87") away from your mouth. Rotate the tie-clip's microphone holder so that the microphone points to your mouth. (YP-M5300 only)

If microphone volume cannot be increased due to acoustic feedback, position the microphone as close as possible to your mouth.

Note: When connecting or disconnecting the microphone, be sure to turn off the transmitter's power. Otherwise, excessive noise may be generated, possibly damaging the speaker and/or amplifier.

4. SPECIFICATIONS

Model No.	YP-M5300	YP-M5310
Type	Electret condenser type	
Directivity	Unidirectional	Omnidirectional
Sensitivity	-63 dB ±3 dB (0 dB = 1 V/0.1 Pa, 1 kHz)	-64 dB ±3 dB (0 dB = 1 V/0.1 Pa, 1 kHz)
Frequency Response	100 Hz – 12 kHz	100 Hz – 15 kHz
Maximum Input Level	120 dB SPL	110 dB SPL
Cord Length	1.3 m (4.27 ft)	
Connector	ø3.5 mm (ø0.14") mini plug	
Finish	Dark black	
Weight	20 g (0.71 oz) (cable included)	

Note: The design and specifications are subject to change without notice for improvement.

Traceability Information for Europe (EMC directive 2004/108/EC)

Manufacturer:
TOA Corporation
7-2-1, Minatojima Nakamachi, Chuo-ku, Kobe, Hyogo, Japan

Authorized representative:
TOA Electronics Europe GmbH
Suederstrasse 282, 20537 Hamburg, Germany

URL: <http://www.toa.jp/>