

DESCRIPTION

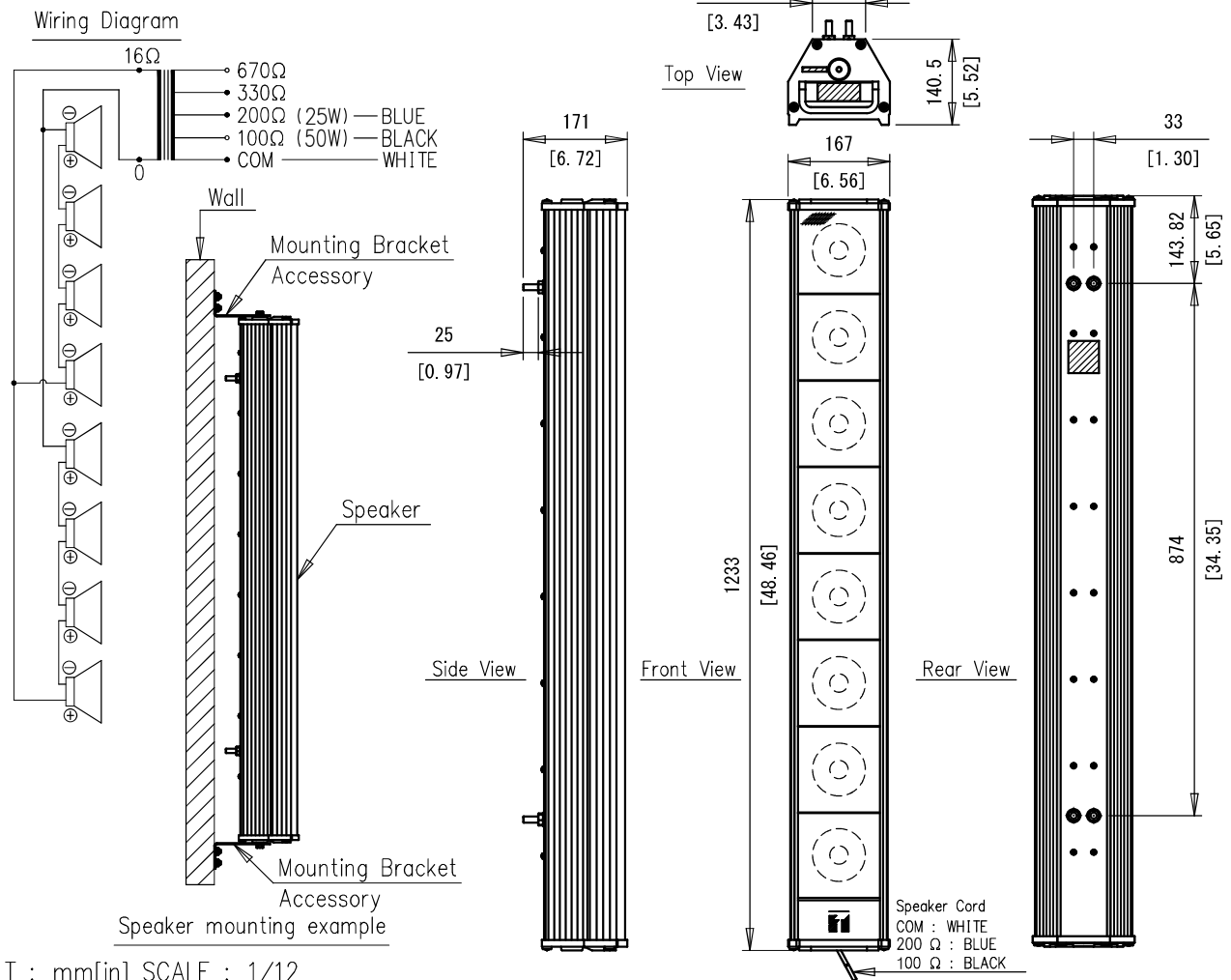
The Long Range Slim Array Speaker is composed of multiple horn speaker positioned in an array. It features long-range sound coverage further than conventional horn speakers, and narrowly focused vertical directivity that allows excessive volume to be controlled at closer proximity.
90° horizontal x 15° vertical wide directivity high-frequency array horn speaker.

SPECIFICATIONS

Rated Input	50W
Rated Impedance	100Ω (50W), 200Ω(25W)
Sound Pressure Level	114dB (1W, 1m)
Maximum Sound Pressure Level	131dB (50W, 1m)
Frequency Response	350Hz – 7kHz
Directivity Angle	Horizontal: 90° (2kHz), Vertical: 15° (2kHz)
Speakers Component	Horn speaker unit x 8
Operating Temperature	-20°C to +55°C (-4°F to +131°F)
Water Protection	IPX5
Finish	Case, Panel: Aluminum, salt-resistant, paint, grey Front grille: Aluminum, black Bracket: Stainless steel (SUS 304), paint, grey
Dimensions	167 (w) x 1233(h) x 140.5(d) mm (6.57" x 48.54" x 5.53")
Weight	13.5kg (29.76lb)
Accessory	Installation nut (M10)... 4, Washer (M10)... 8, Spring Washer (M10)... 4 Mounting Bracket... 2, Bolt M8 x 20... 2 Washer (M8)... 4, Spring Washer (M8)... 2

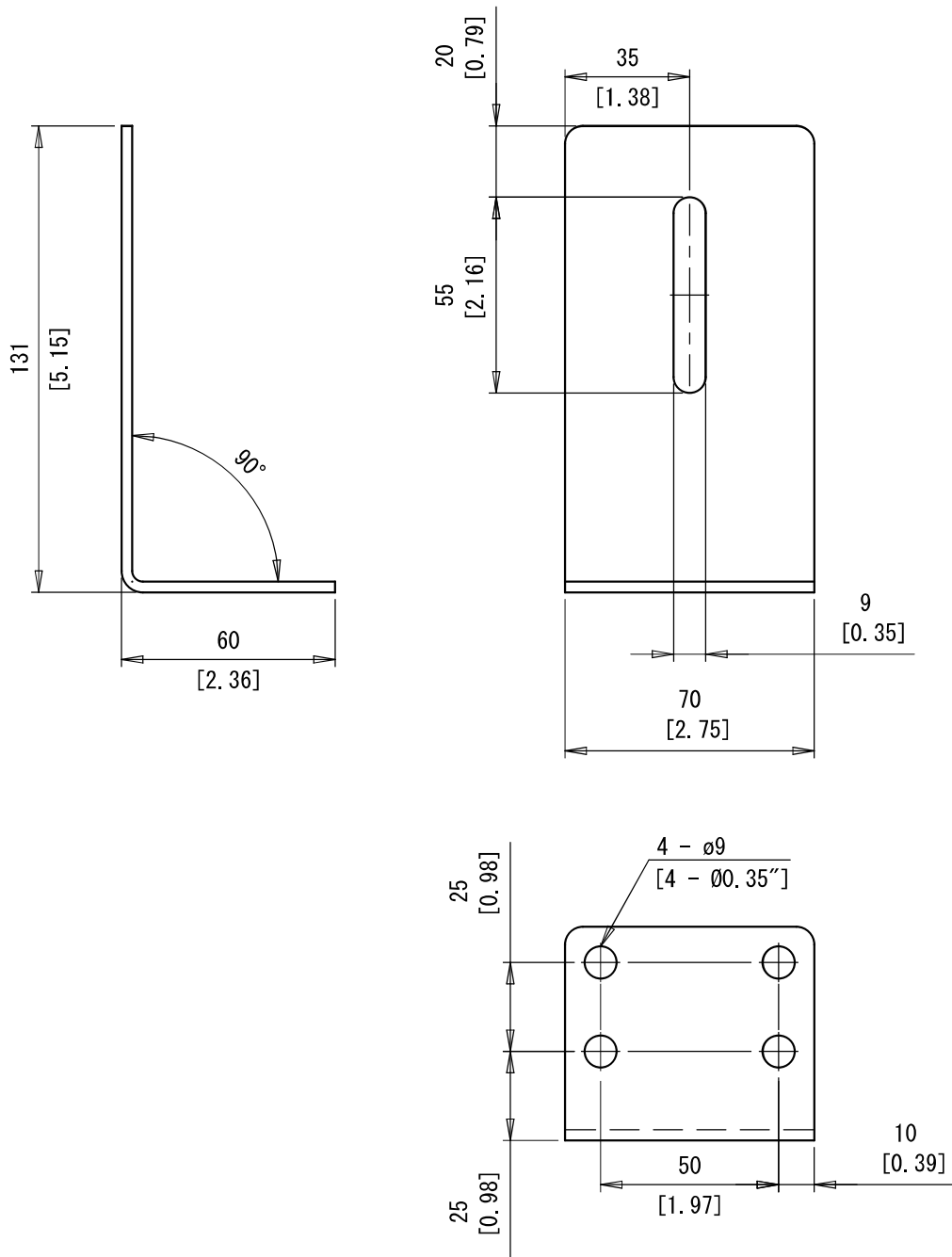
Note: A drain hole is provide on the speaker cable side of the cabinet. Make sure that its speaker cable side down faces. The speaker must be installed upright or facing down. Installing the speaker in any other position may render the drain hole ineffective, eventually leading to an electrical failure or other damage.

APPEARANCE



UNIT : mm[in] SCALE : 1/12

MOUNTING BRACKET



UNIT : mm[in] SCALE : 1/2